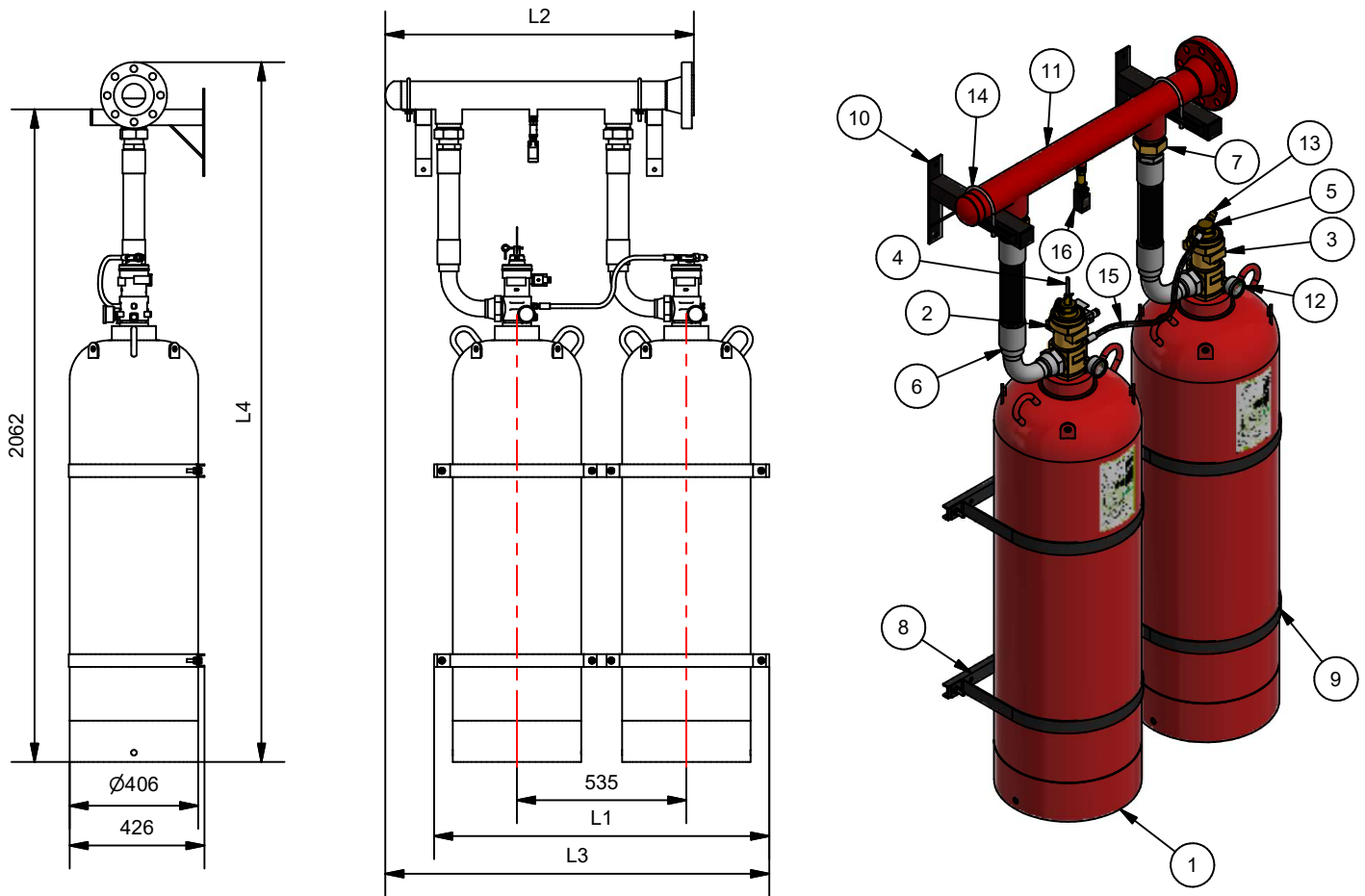


# FK-5-1-12 CYLINDERS 150 L SINGLE ROW

## AEX/FKB150-(xx)

Specifications								
Reference	Cylinders	Maximum load	L1	L2	L3	L4	Manifold outlet*	Manifol reference*
AEX/FKB150-02	2	357	1059 mm	975 mm	1213 mm	2212 mm	Brida 3"	CFK3S2U150240
AEX/FKB150-03	3	535,5	1594 mm	1510 mm	1748 mm	2212 mm	Brida 3"	CFK3S3U150240
AEX/FKB150-04	4	714	2129 mm	2077 mm	2296 mm	2257 mm	Brida 4"	CFK4S4U150240
AEX/FKB150-05	5	892,5	2664 mm	2612 mm	2831 mm	2257 mm	Brida 4"	CFK4S5U150240
AEX/FKB150-06	6	1071	3199 mm	3173 mm	3379 mm	2303 mm	Brida 5"	CFK5S6U150240
AEX/FKB150-07	7	1249,5	3734 mm	3708 mm	3914 mm	2303 mm	Brida 5"	CFK5S7U150240
AEX/FKB150-08	8	1428	4269 mm	4258 mm	4461 mm	2332 mm	Brida 6"	CFK6S8U150240
AEX/FKB150-09	9	1606,5	4804 mm	4793 mm	4996 mm	2332 mm	Brida 6"	CFK6S9U150240
AEX/FKB150-10	10	1785	5339 mm	5328 mm	5531 mm	2332 mm	Brida 6"	CFK6S10U150240

\*The manifold diameter may vary depending on the hydraulic calculations of each installation.



Parts List		Parts List	
Number	Reference and description	Number	Reference and description
1	BCS150 -Cylinder 150 L FK-5-1-12	9	H410AP - Arco herraje botella
2	AEX-FKV2P - Pilot valve FK-5-1-12	10	HSCNK - Manifold support
3	AEX-FKV2E - Slave valve FK-5-1-12	11	CFK(x)S(y)U150240 - (x) " Manifold for (y) cylinders
4	AEX-FKAM2 - Manual / pneumatic actuator	12	AEX-FKMCNC25 - Contact pressure gauge
5	AEX-FKAN - Pneumatic actuator	13	AEX-FKVA - Relief valve
6	AEX-FKL2 - Discharge hose	14	HA(x) - (x)" Strut
7	AEX-FKVR2 - Check valve	15	AEX-FKLM12 - Trigger hose
8	HTP(x)N528 - Rear cross member for (x) cylinders	16	AEX-CP1 - Step contactor (optional)

Description: Complete cylinder bank, equipped with manual and electric actuator, pressure gauges, hoses and manifold.

Sheet code:	Solution sheet:	Reference:	Drawn:	Date:	Revised:	Date:	Revision:	Format:
AEX-FTC-61-008	FK-5-1-12	AEX/FKB150-(xx)	DCM	18-03-24	ENC	18-03-24	1.3	A4